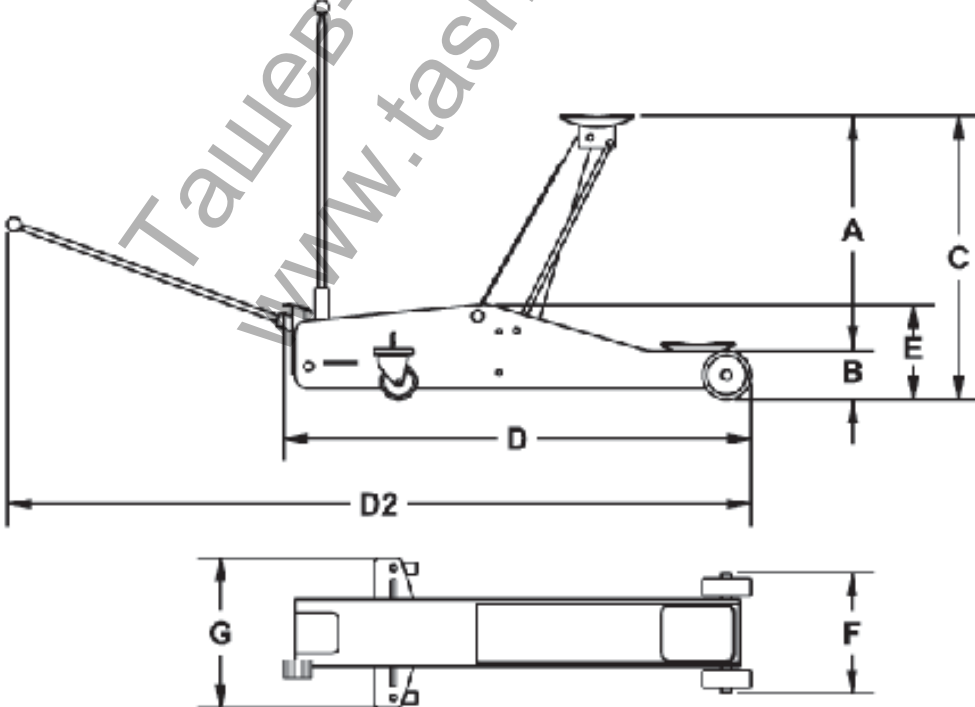


RH215A versatile and very sturdy jack for every garage



Part number	8951082026
Model	RH215
Capacity	2 ton(s)
Dimension A	430 mm
Dimension B	75 mm
Dimension C	505 mm
Dimension D	750 mm
Dimension D2	1960 mm
Dimension E	150 mm
Dimension F	270 mm
Dimension G	375 mm
Wheel type	Nylon
Net weight	39.4 kg

Ташев-Галвинг ООД
www.tashev-galving.com